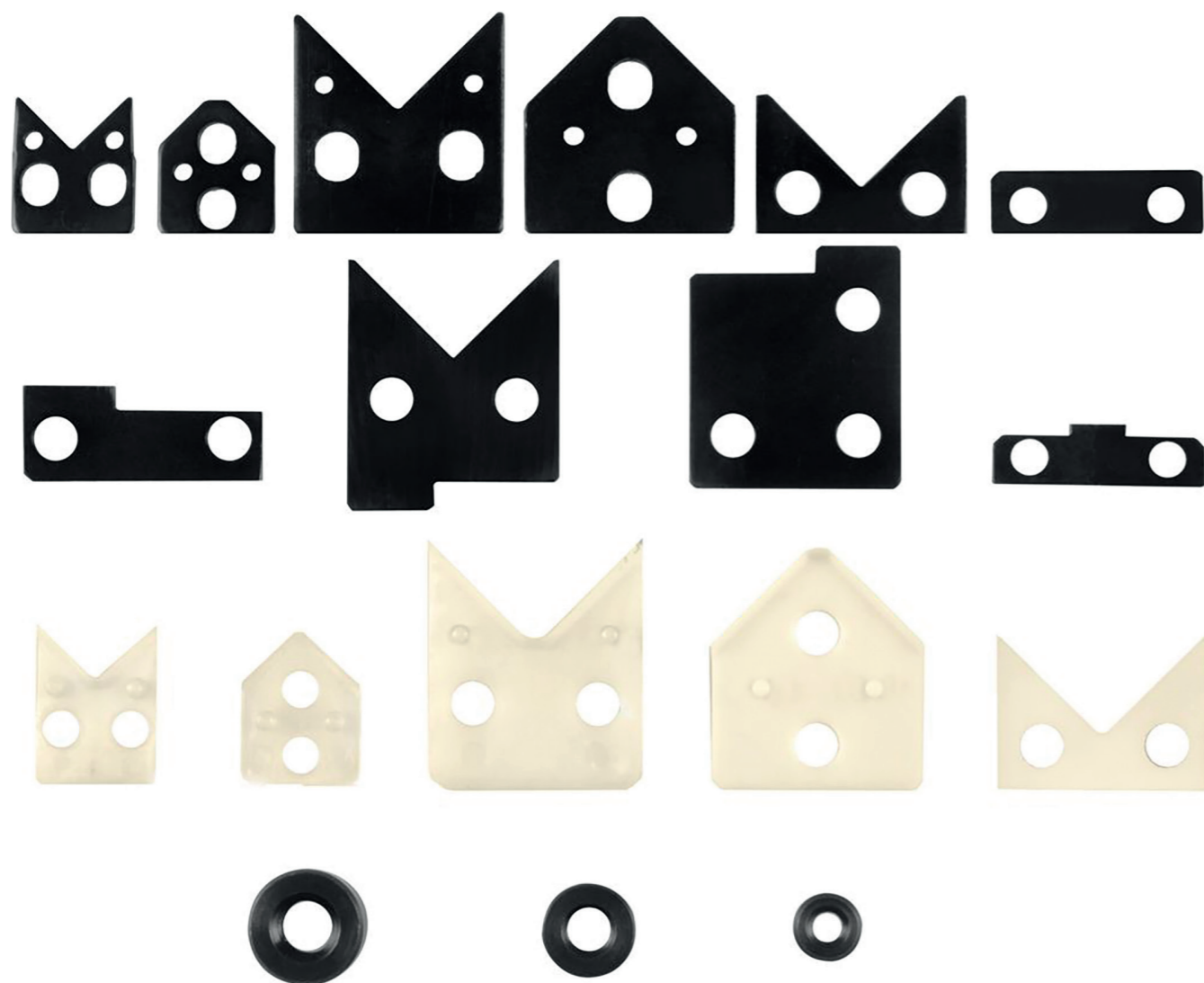


9

ACCESSORIES

END PIECES / WIPERS FOR GUIDEWAYS / ESM INSERT NUTS FOR GUIDEWAYS



END PIECES

Package contents and use: end piece with fixing screws

- MATERIAL

Blackened construction steel St 37-2
Fixing screws ISO 7984

IMPORTANT INFORMATION: the end pieces must not be used to limit the stroke.

END PIECES AND SCRAPERS

Package contents and use: end piece with assembled wiper plate and fixing screws

- MATERIAL

Blackened construction steel St 37-2
Polyester elastomer
Fixing screws DIN 7984

Longitudinal seals may also be applied in order to reduce the risk of soiling on the raceways.

ESM INSERT NUTS

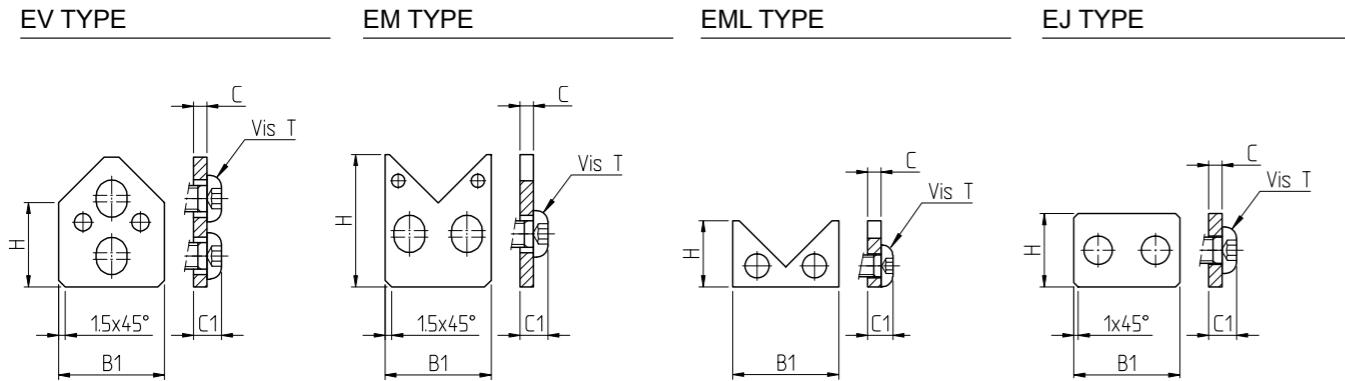
Standard guideways are delivered with sinkholes (T15). These guideways can be attached as with a threaded hole (T03) by using ESM insert nuts. The insert nuts must be glued into the hole.

The ESM insert nuts should be ordered separately and are delivered loose.

- MATERIAL

Steel CK 45 blackened (1.1191)

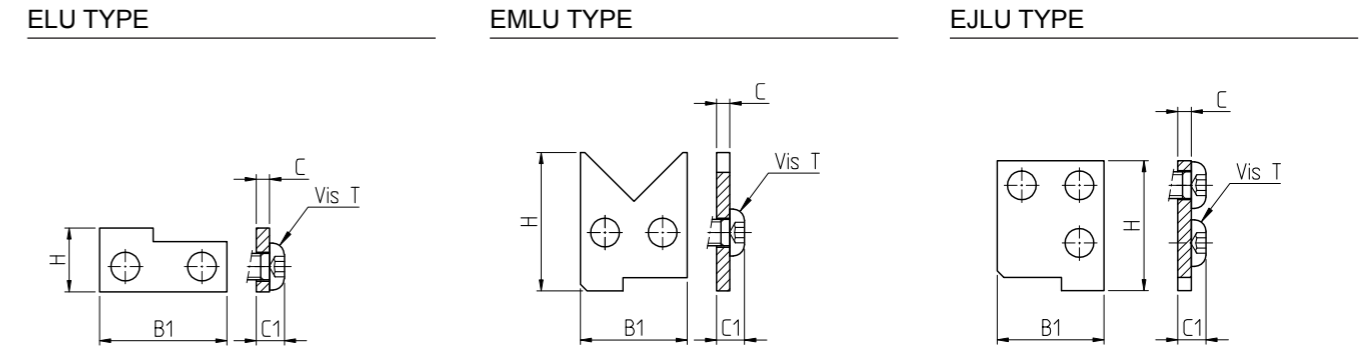
END PIECES



DIMENSIONS IN (MM)

Guideways	Designation				Dimensions				T-screws
	EV	EM	EML	EJ	B1	H	C	C1 max.	DIN 7984
V3015	EV3015				14	12.6	2	4.5	M3x6
V4020	EV4020				19	14.9	3	7	M5x10
V4525	EV4525				24	18.5	3	7.5	M6x10
V5025	EV5025				24	17.8	3	7.5	M6x10
V6035	EV6035				34	21.5	3	7.5	M6x10
V6535	EV6535				34	27.5	3	7.5	M6x10
V7040	EV7040				39	26.2	3	7.5	M6x10
V8050	EV8050				49	29	3	7.5	M6x10
V8550	EV8550				49	37.5	3	7.5	M6x10
M3015		EM3015			14	16.7	2	4.5	M3x6
M4020		EM4020			19	23	3	7	M5x10
M4525		EM4525			24	26.5	3	7.5	M6x10
M5025		EM5025			24	29	3	7.5	M6x10
M6035		EM6035			34	36	3	7.5	M6x10
M6535		EM6535			34	40.5	3	7.5	M6x10
M7040		EM7040			39	42	3	7.5	M6x10
M8050		EM8050			49	49	3	7.5	M6x10
M8550		EM8550			49	54.5	3	7.5	M6x10
ML5020, ML5520			EML 20		19	12	3	6.5	M4x10
ML5525 bis ML7025			EML 25		24	15	3	7	M5x10
ML7035, ML8035			EML 35		34	23	3	7.5	M6x10
ML8040, ML9040			EML 40		39	28.5	3	7.5	M6x10
ML9050, ML10050			EML 50		49	35	3	7.5	M6x10
J3525				EJ3525	34	11	3	7	M5x10
J4025				EJ4025	39	12	3	7	M5x10
J5025				EJ5025	24	16.6	3	7.5	M6x10
J5030				EJ5030	49	14	3	7.5	M6x10
J5530				EJ5530	54	15	3	7.5	M6x10
J6035				EJ6035	34	17	3	7.5	M6x10
J7040				EJ7040	39	16.8	3	7.5	M6x10
J8050				EJ8050	49	18.2	3	7.5	M6x10

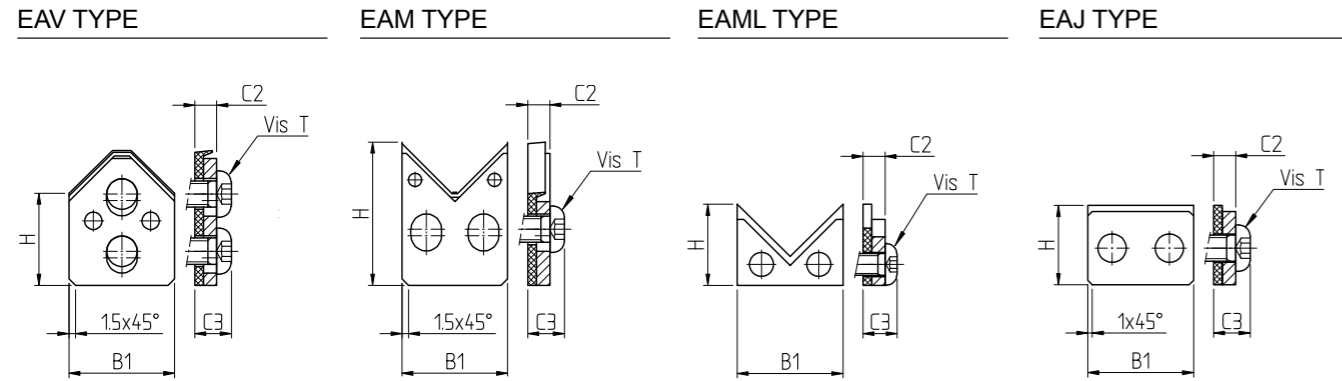
END PIECES



DIMENSIONS IN (MM)

Guideways	Designation			Dimensions				T-screws
	ELU	EMLU	EJLU	B1	H	C	C1 max.	DIN 7984
LUE 5025	ELU 5025			28.6	11.3	3	7.5	M6x10
		EMLU5025		24	31.1	3	7.5	M6x10
			EJLU 5025	24	29.2	3	7.5	M6x10
LUE 6035	ELU 6035			38.6	13.8	3	7.5	M6x10
		EMLU6035		34	40.5	3	7.5	M6x10
			EJLU 6035	34	39	3	7.5	M6x10
LUE 7040	ELU 7040			38.6	15.8	3	7.5	M6x10
		EMLU7040		39	46.5	3	7.5	M6x10
			EJLU 7040	39	44	3	7.5	M6x10
LUE 8050	ELU 8050			49.6	18.8	3	7.5	M6x10
		EMLU8050		49	53.5	3	7.5	M6x10
			EJLU 8050	49	49	3	7.5	M6x10

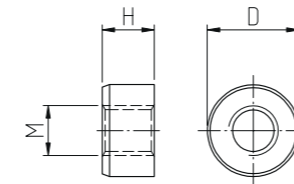
WIPERS



AFFILIATION TABLE

Guideways	Endpieces with assembled wipers	Dimensions				T-screws
		B1	H	C2	C3	DIN 7984
V3015	EAV3015	14	12.6	4	7	M3x8
V4020	EAV4020	19	14.9	5	9	M5x12
V4525	EAV4525	24	18.5	5	9,5	M6x12
V5025	EAV5025	24	17.8	5	9,5	M6x12
V6035	EAV6035	34	21.5	5	9,5	M6x12
V6535	EAV6535	34	27.5	5	9,5	M6x12
V7040	EAV7040	39	26.2	5	9,5	M6x12
V8050	EAV8050	49	29	5	9,5	M6x12
V8550	EAV8550	49	37.5	5	9,5	M6x12
M3015	EAM3015	14	16.7	4	7	M3x8
M4020	EAM4020	19	23	5	9	M5x12
M4525	EAM4525	24	26.5	5	9,5	M6x12
M5025	EAM5025	24	29	5	9,5	M6x12
M6035	EAM6035	34	36	5	9,5	M6x12
M6535	EAM6535	34	40.5	5	9,5	M6x12
M7040	EAM7040	39	42	5	9,5	M6x12
M8050	EAM8050	49	49	5	9,5	M6x12
M8550	EAM8550	49	54.5	5	9,5	M6x12
ML5020, ML5520	EAML 20	19	12	5	8,5	M4x12
ML5525 bis ML7025	EAML 25	24	15	5	9	M5x12
ML7035, ML8035	EAML 35	34	23	5	9,5	M6x12
ML8040, ML9040	EAML 40	39	28.5	5	9,5	M6x12
ML9050, ML10050	EAML 50	49	35	5	9,5	M6x12
J3525	EAJ3525	34	11	5	9	M5x12
J4025	EAJ4025	39	12	5	9	M5x12
J5025	EAJ5025	24	16.6	5	9,5	M6x12
J5030	EAJ5030	49	14	5	9,5	M6x12
J5530	EAJ5530	54	15	5	9,5	M6x12
J6035	EAJ6035	34	17	5	9,5	M6x12
J7040	EAJ7040	39	16.8	5	9,5	M6x12
J8050	EAJ8050	49	18.2	5	9,5	M6x12

ESM INSERT NUTS



DIMENSIONS IN (MM)

Guideways	Designation	Dimensions		
		D -0.05/-0.10	H	M
M/V 3015	ESM M4	8.5	4.3	M4
S/J 3525 - S/J 4025	ESM M5	10	5.5	M5
M/V 4020 - M/V 4525 - M/V 5025 S/J 5025 ML 5020 - ML 5520 ML 5525 - ML 6025 ML 6525 - ML 7025	ESM M6	11.5	6.5	M6
S/J 5030 - S/J 5530	ESM M6	11	6.5	M6
M/V 6035 - M/V 6535 S/J 6035 ML 7035 - ML 8035	ESM M8	15	8.5	M8
M/V 7040 S/J 7040 ML 8040 - ML 9040	ESM M10	18.5	10.5	M10
M/V 8050 - M/V 8550 S/J 8050 ML 9050 - ML 10050	ESM M12	20	12.5	M12

ESM are used to adapt a standard rail (T15 bore) for fixation from the frame. (T03 hole principle)

It remains technically and economically preferable to use the T03 hole solution if the rail fixing principle is known at the time of the request.

10

ALTERNATIVE VERSIONS

GROUP	DETAILS	CODE
No threaded holes on front side	No threaded holes on both ends	E1
	No threaded holes at beginning of the guideway (L1)	E1L
	No threaded holes at end of the guideway (L2)	E1R
Raceway lead areas at end of guideways	Raceway lead areas at both ends of the guideway	E2
	Raceway lead area at beginning of the guideway (L1)	E2L
	Raceway lead area at end of the guideway (L2)	E2R
Position of fixing holes different from dimension table	Distance between the first hole and the start of the guideway	L1
	Hole distance	LA
	Distance between the last hole and the end of the guideway	L2
Layout with longitudinal seal	Layout with longitudinal sealing tapes made from plastic	PP
	Layout with longitudinal sealing tapes made from steel	ZZ
Raceways with sliding layer	With Turcite sliding layer	LB
	With Permaglide sliding layer	LP21
Layout with integrated toothed rack	For positive control of flat cage assemblies	MVZ



GROUP	DETAILS	CODE
Special treatments	Corrosion protection – thin layer chromium plating (layer thickness 2-5µm)	DSV
	Galvanising – nickel coating – blackening – sandblasting – trovalisation procedures, etc.	AVAILABLE ON REQUEST
Special tolerances	Pre-ground raceways	VQ10
	Special height dimension (H)	TH
	Restricted width tolerance	TB
	Restricted hole distance tolerance (LA)	P
	Lubrication holes or additional holes	TG
	Ground joints for multi-part guideways	E5
Guideways with joints ground on both sides	E6	
Different guideway materials	Stainless or other steel	AVAILABLE ON REQUEST